

Class I Division 2 certified integral cable accelerometer

786F-D2



Key features

- Hazardous area certified, non-incendive
- Corrosion resistant
- Hermetically sealed
- Case isolated
- ESD-protected
- Reverse wiring protection
- CSA and KEMA certified for Class I, Div 2/Zone 2 areas

Certifications

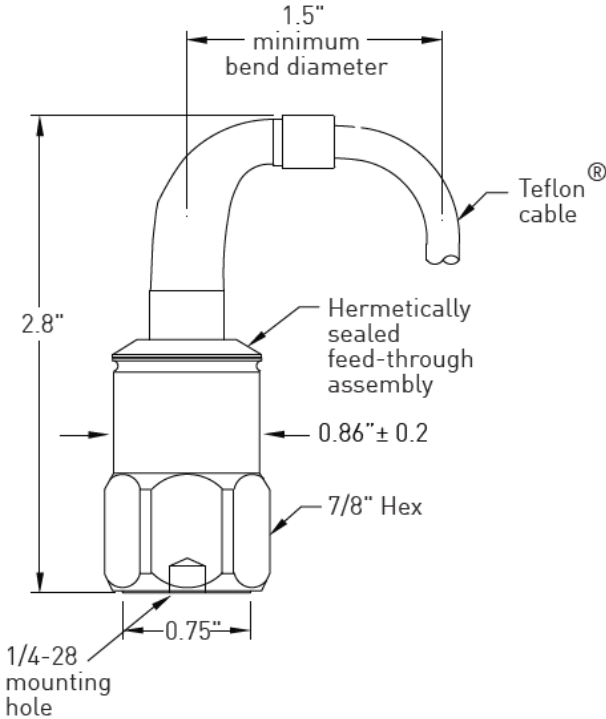


Class I, Div 2 Groups A, B, C, D



Class I, Zone 2
Ex nA II T4 Ta=120°C

For hazardous area locations, sensor must be installed in accordance with installation instructions or local code requirements.



Connections	
Function	Cable conductor
power/signal	white
common	black
case	shield

Note: Due to continuous process improvement, specifications are subject to change without notice. This document is cleared for public release.

Wilcoxon Sensing Technologies
20511 Seneca Meadows Parkway
Germantown, MD 20876
info@wilcoxon.com

Tel: (301) 330 8811
Fax: (301) 330 8873
www.wilcoxon.com

Wilcoxon Sensing Technologies
An Amphenol Company

Class I Division 2 certified integral cable accelerometer

786F-D2

SPECIFICATIONS

Sensitivity, $\pm 5\%$, 25° C	100 mV/g
Acceleration range	80 g peak
Amplitude nonlinearity	1%
Frequency response, nominal:	
$\pm 10\%$	1 - 8,000 Hz
± 3 dB	0.5 - 13,000 Hz
Resonance frequency	30 kHz
Transverse sensitivity, max	5% of axial
Temperature response:	
-50° C	-5%
+120° C	+5%
Power requirement:	
Voltage source	18 - 28 VDC
Current regulating diode	2 - 10 mA
Electrical noise, equiv. g:	
Broadband	2.5 Hz to 25 kHz
Spectral	10 Hz
	100 Hz
	1,000 Hz
	700 μ g
	10 μ g/ $\sqrt{\text{Hz}}$
	5 μ g/ $\sqrt{\text{Hz}}$
	5 μ g/ $\sqrt{\text{Hz}}$
Output impedance, max	100 Ω
Bias output voltage	12 VDC
Grounding	case isolated, internally shielded
Temperature range	-50 to +120° C
Vibration limit	500 g peak
Shock limit, min	5,000 g peak
Electromagnetic sensitivity, equiv. g, max	70 μ g/gauss
Sealing	hermetic
Base strain sensitivity, max	0.0002 g/ μ strain
Hydrostatic pressure	100 psi
Sensing element design	PZT / shear
Weight	90 grams (excluding cable)
Case material	316L stainless steel
Mounting	1/4-28 UNF tapped hole
Integral cabling	Class I Div 2 approved cable, shielded, twisted pair

Contact

Wilcoxon Sensing
Technologies

20511 Seneca Meadows Parkway
Germantown MD 20876, USA

Tel: +1 301 330 8811
Fax: +1 301 330 8873

info@wilcoxon.com

www.wilcoxon.com

Accessories supplied:

- SF6 mounting stud (international customers specify mounting requirements)
- Calibration data (level 2)

Note: Due to continuous process improvement, specifications are subject to change without notice.
This document is cleared for public release.

Wilcoxon Sensing Technologies
20511 Seneca Meadows Parkway
Germantown, MD 20876
info@wilcoxon.com

Tel: (301) 330 8811
Fax: (301) 330 8873
www.wilcoxon.com

Wilcoxon Sensing Technologies
An Amphenol Company